

Write your name here

Surname

Other names

In the style of:

**Edexcel GCSE**

Centre Number

--	--	--	--	--

Candidate Number

--	--	--	--

# Mathematics A

## Number

**Foundation Tier**

Past Paper Style Questions  
Arranged by Topic

Paper Reference

**1MA0/1F**

**You must have:** Ruler graduated in centimetres and millimetres, protractor, pair of compasses, pen, HB pencil, eraser. Tracing paper may be used.

Total Marks



### Instructions

- Use **black** ink or ball-point pen.
- **Fill in the boxes** at the top of this page with your name, centre number and candidate number.
- Answer **all** questions.
- Answer the questions in the spaces provided – *there may be more space than you need.*
- **Calculators must not be used.**

### Information

- The total mark for this paper is 100
- The marks for **each** question are shown in brackets – *use this as a guide as to how much time to spend on each question.*
- Questions labelled with an **asterisk** (\*) are ones where the quality of your written communication will be assessed.

### Advice

- Read each question carefully before you start to answer it.
- Keep an eye on the time.
- Try to answer every question.
- Check your answers if you have time at the end.

Turn over ►



**1(a)** Work out  $7500 + 1500$

Write your answer in words.

.....  
**(2)**

**1(b)** Write 4748 to the nearest hundred.

.....  
**(1)**

**1(c)** What is the value of the digit 5 in the number 425 986?

.....  
**(1)**

**1(d)** Write down the positive square root of 121.

.....  
**(1)**

**1(e)** Which of these is equal to one million?

Circle your answer.

$10^3$        $10^4$        $10^5$        $10^6$        $10^7$



2. Use the numbers from this list to answer the questions.

5            12            17            25            28            30            42            49

(a) Write down all the multiples of 5.

.....

(2)

(b) Write down all the factors of 100.

.....

(2)

(c) Write down a square number.

.....

(1)

(d) Write down three numbers that have a sum of 60.

..... and..... and.....

(1)

3. Here are two numbers.

forty thousand

7500

Which number is bigger?

Give a reason for your answer.

Bigger number .....

Reason .....

.....

(2)



4.  $w$ ,  $x$  and  $y$  are three positive whole numbers.  $w$  is one-fifth of  $y$ .  
 $x$  is one-sixth of  $y$ .  
 $y$  is less than 100.  
What values could  $y$  take?

.....

(5)

5. The numbers 13 and 17 are consecutive prime numbers.  
The number halfway between them is 15.  
15 is **not** a square number.

Find a pair of consecutive prime numbers less than 30 where the number halfway between them is a square number.

.....and.....

(2)



6. Work out

$$8^2 \div 4^3$$

.....

(2)

7. You are given that  $34.7 \times 25 = 867.5$

(a) Write down the value of  $347 \times 25$

.....

(1)

(b) Write down the value of  $85.02 \div 26$

.....

(1)

(c) Work out the value of  $32.7 \times 27$

.....


(2)



8. A tin of baked beans costs 30p.  
A shop has a special offer on the baked beans.

**Special offer**

Pay for 2 tins and get 1 tin free



30p      30p      Free

Helen wants 12 tins of baked beans.

- (a) Work out how much she pays.

£ .....  
(3)

The normal price of a toaster is £30

In a sale, the price of the toaster is reduced by 15%.

- (b) Work out the sale price of the toaster.

£ .....  
(3)

**(Total 6 marks)**



9. Work out  $\frac{1}{5} + \frac{2}{7}$

.....

**(Total 2 marks)**

10.

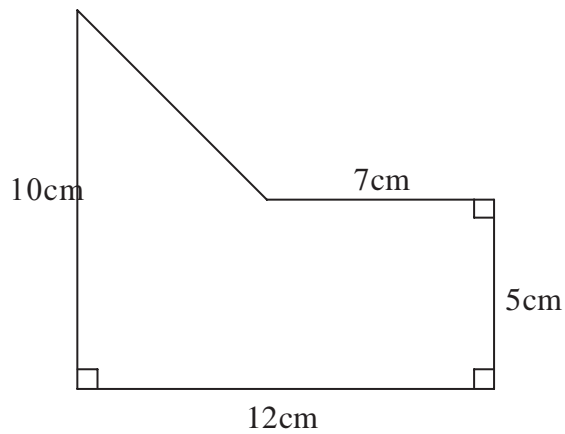


Diagram **NOT**  
accurately drawn

Work out the area of the shape.

..... cm<sup>2</sup>

**(Total 4 marks)**



11. Use the information that

$$324 \times 46 = 14904$$

to find the value of

(a)  $3.24 \times 4.6$

.....  
(1)

(b)  $0.324 \times 0.46$

.....  
(1)

(c)  $14904 \div 4.6$

.....  
(1)

**(Total 3 marks)**

12.  $2x^2 = 72$

(a) Find a value of  $x$ .

.....  
(2)

(b) Express 72 as a product of its prime factors.

.....  
(2)

**(Total 4 marks)**





13. Here are the ingredients needed to make 8 pancakes.

<p style="text-align: center;"><b>Pancakes</b></p> <p>Ingredients to make <b>8</b> pancakes</p> <p>300 ml milk 1 egg 120 g flour 5 g butter</p>
---

David makes 24 pancakes.

(a) Work out how much milk he needs.

..... ml  
(2)

Louis makes 12 pancakes.

(b) Work out how much flour he needs.

..... g  
(2)

**(Total 4 marks)**



14. Shagufta has a part-time job.  
She is paid £5.60 for each hour she works.  
Last week Shagufta worked for 24 hours.  
Work out Shagufta's total pay for last week.

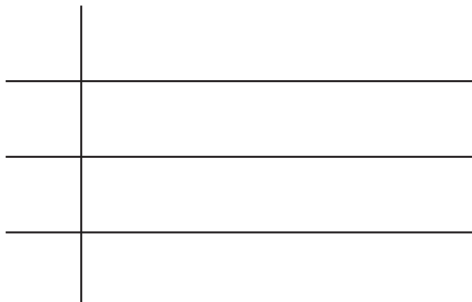
£ .....

**(Total 3 marks)**

15. Here are the ages, in years, of 15 teachers.

34 53 41 28 37  
22 32 40 50 34  
44 28 45 45 55

Draw an ordered stem and leaf diagram to show this information.  
You must include a key.



Key:



16. Using the information that

$$4.8 \times 36 = 172.8$$

write down the value of

(a)  $48 \times 36$

.....  
(1)

(b)  $4.8 \times 3.6$

.....  
(1)

(c)  $172.8 \div 48$

.....  
(1)

**(Total 3 marks)**



17. This rule is used to work out the total cost, in pounds, of hiring a bicycle.

Multiply the number of days' hire by 3  
Add 6 to your answer

Peter hires a bicycle.

The total cost is £18

(a) Work out for how many days he hires the bicycle.

..... days  
(2)

(b) Write down an expression, in terms of  $n$ , for the total cost, in pounds, of hiring a bicycle for  $n$  days.

.....  
(2)

**(Total 4 marks)**



18.

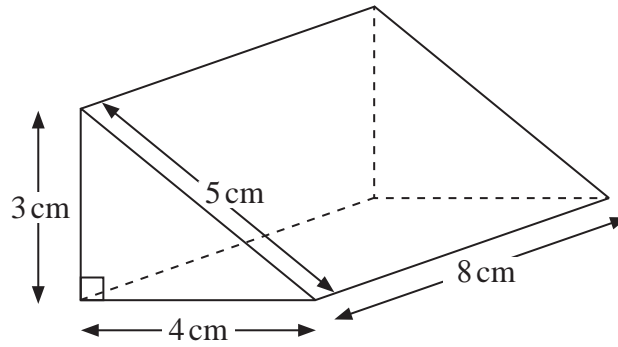


Diagram **NOT**  
accurately drawn

Work out the total surface area of the triangular prism.  
Give the units with your answer.

.....

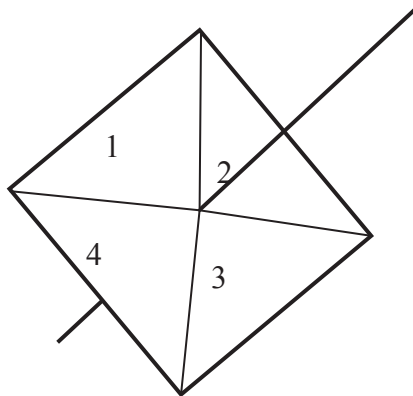
**(Total 4 marks)**



19. Work out an estimate for  $\frac{302 \times 9.96}{0.51}$

.....  
(Total 3 marks)

20. Here is a 4-sided spinner.



The sides of the spinner are labelled 1, 2, 3 and 4.

The spinner is biased.

The table shows the probability that the spinner will land on each of the colours 1, 4 and 3.

Colour	1	2	3	4
Probability	0.2		0.3	0.1

Work out the probability the spinner will land on 2.

.....  
(Total 2 marks)



21. (a) Write down the reciprocal of 5

.....  
(1)

(b) Work out the value of  $2\frac{4}{5} - 1\frac{3}{4}$

Give your answer as a fraction in its simplest form.

.....  
(3)

(c) Derek says that  $4\frac{1}{3}$  is equal to 4.3

Derek is **wrong**.

Explain why.

.....  
.....  
(1)

**(Total 5 marks)**



**BLANK PAGE**

